

OPERATION & ASSEMBLY INSTRUCTIONS

COMPETITION | 226

SUN | DASH

COMPETITION | 232

CYBERTECH
FACIAL

20
GENESIS
SYSTEM

SUN
Ergoline
tanning systems worldwide

Specifications

226GF

Length: 85"
 Width: 42"
 Height: 31.5" - 48.5"
 Shipping Weight: 646 Lbs.
 No. of Lamps: 26
 Electrical: 16 AMPS @ 240 Volts
 Circuit Required: 120/208 V, 2-Pole
 120/240 V, 2-Pole
 20 Amp Breaker

232GF

Length: 85"
 Width: 42"
 Height: 31.5" - 48.5"
 Shipping Weight: 686 Lbs.
 No. of Lamps: 32
 Electrical: 20 AMPS @ 240 Volts
 Circuit Required: 120/208 V, 2-Pole
 120/240 V, 2-Pole
 30 Amp Breaker

DANGER - ULTRAVIOLET RADIATION. FOLLOW INSTRUCTIONS. AVOID OVEREXPOSURE. AS WITH NATURAL SUNLIGHT, OVEREXPOSURE CAN CAUSE EYE AND SKIN INJURY AND ALLERGIC REACTIONS. REPEATED EXPOSURE MAY CAUSE PREMATURE AGING OF THE SKIN AND SKIN CANCER. WEAR PROTECTIVE EYEWEAR; FAILURE TO MAY RESULT IN SEVERE BURNS OR LONG-TERM INJURY TO EYES.

MEDICATIONS OR COSMETICS MAY INCREASE YOUR SENSITIVITY TO THE ULTRAVIOLET RADIATION. CONSULT PHYSICIAN BEFORE USING SUNLAMP IF YOU ARE USING MEDICATIONS OR HAVE A HISTORY OF SKIN PROBLEMS OR BELIEVE YOURSELF ESPECIALLY SENSITIVE TO SUNLIGHT. IF YOU DO NOT TAN IN THE SUN, YOU ARE UNLIKELY TO TAN FROM THE USE OF THIS PRODUCT.

THIS UNIT UTILIZES UVA LAMPS. REPLACE ONLY WITH **GENESIS 120W F73-T12-H0-120W** AND FACIAL LAMPS **SUNDASH HRF P/N:26990**.

LIE ON ACRYLIC SURFACE AND LOWER TOP SECTION. TOP SECTION WILL STOP AT 12 INCHES (305 MM) FROM BOTTOM ACRYLIC SURFACE. THE USE OF ANY OTHER POSITION MAY RESULT IN OVEREXPOSURE.

RECOMMENDED EXPOSURE SCHEDULE					
SKIN TYPE	WEEK 1 1 ST-3RD TREATMENTS	WEEK 2 4TH-6TH TREATMENTS	WEEK 3 7TH-10TH TREATMENTS	WEEK 4 11TH-15TH TREATMENTS	WEEKLY SUBSEQUENT TREATMENTS
II - FAIR	3 MIN.	7 MIN.	15 MIN.	20 MIN.	20 MIN.
III - AVERAGE	3 MIN.	7 MIN.	15 MIN.	20 MIN.	20 MIN.
IV - BROWN	3 MIN.	10 MIN.	15 MIN.	20 MIN.	20 MIN.
V - DARK BROWN	3 MIN.	10 MIN.	15 MIN.	20 MIN.	20 MIN.

MAXIMUM EXPOSURE TIME IS 20 MINUTES.
 TANNING CAN BEGIN ON A REGULAR BASIS. AN APPEARANCE OF TANNING NORMALLY APPEARS AFTER A FEW EXPOSURES AND MAXIMIZES AFTER FOUR (4) WEEKS OF EXPOSURE FOLLOWING THE RECOMMENDED SCHEDULE FOR YOUR SKIN TYPE.

USE PROTECTIVE EYEWEAR, SUPER SUNNIES, WHENEVER THE EQUIPMENT IS ENERGIZED. READ THE INSTRUCTION BOOKLET BEFORE USING THIS UNIT.

INSTRUCTIONS ACCOMPANYING THIS PRODUCT SHOULD ALWAYS BE FOLLOWED TO AVOID OR MINIMIZE POTENTIAL INJURY.

"THIS PRODUCT IS IN CONFORMITY WITH PERFORMANCE STANDARDS FOR SUNLAMP PRODUCTS UNDER CFR21 PART 1040."

Warnings and Cautions

Certain drugs - particularly those that produce photosensitivity - may cause individuals under the influence of this type drug to experience adverse effects and those people should avoid exposure to UV sources of all kinds. Doctors will advise persons taking these drugs to possible adverse effects.

It is recommended that only one person at a time should use the tanning system while in use, and advises using protective eyewear while taking a tanning session. One pair of goggles is provided with each sunbed sold.

WARNING

If you have been diagnosed by a physician as being allergic to the sun or are currently taking photosensitive medications, consult your physician before using the tanning unit.

Occasionally, persons using the tanning system will experience a slight reddening of the skin - usually in small patches - after the second or third session. This redness is often accompanied by an itching sensation. This may be nothing more than a heat "rash" caused by heat from the lamps within the system.

It is generally very limited and caused by constant contact of the skin with the acrylic surface. It should go away within approximately 24 hours and should not reappear. This rashing can be lessened or prevented by applying moisturizer lotion to the affected area after the tanning session is completed.

CAUTION

While there is no immediate clinical evidence UVA exposure and its effects upon expectant mothers, it is strongly advised that expectant mothers be discouraged from using the tanning unit.

Mandatory Reading

Always read and follow all instructions for proper usage prior to using any tanning system.

Remember:

1. Follow the exposure schedule in accordance with your skin type. Failure to do so may result in overexposure.
2. A tanning system is not a toy. You cannot vary the strength of the lamps in your unit.

Should you have any questions regarding the proper use of your tanning system, contact Sun Ergoline at:

1-800-445-0624
8:00 a.m. to 5:00 p.m. (CST)

Care and Cleaning of Your Tanning Unit

After each session is completed, spray the acrylic surface with specially formulated UVT (ultraviolet transmitting) acrylic cleaner. Wipe the surface of the acrylic with a clean cloth. The acrylic should never be wiped with a dry

cloth because this will generate a slight static charge which will attract dust. A mild liquid detergent and water solution can be used temporarily in place of Acrylic Cleaner.

For maximum efficiency of your tanning unit, periodic cleaning of lamps, reflectors and the inside of the acrylics is required. Refer to relamping instructions for acrylic removal.

CAUTION: Do not use excessive amounts of water, any abrasive cleaners, or any spray cleaners that carry label warnings regarding reactions to contact with skin!

DO NOT USE ALCOHOL OR AMMONIA

Electrical Safety:

The tanning unit should be disconnected from the power supply before cleaning or disinfecting the inside of the acrylic. Avoid water or solution entering the lamp compartment.

Relamping Instructions

226GF and 232GF

1. Disconnect unit from power.
2. Remove acrylic from bottom unit. Locate six 1/4 turn fasteners. Remove fastener by turning counter clockwise 1/4 of a revolution.
3. Push lamp toward footend of the unit to disengage from stationary lampholder. Remove lamp.
4. Replace lamp by inserting end of lamp into spring loaded lampholder at the foot end of the bed and push until lamp will insert and properly seat the stationary lampholder at the head end of the bed.
5. Clean and replace acrylic sheet.
6. Reconnect unit to power.
7. Refer to Care and Cleaning Instructions for information on cleaning acrylic and ordering lamps.

CAUTION:

- Replacement lamps must comply with CFR21 1040.20
- A. Replace only with **Genesis 120W F73-T12-HO-120W** and Facial Lamp **Sundash HRF P/N: 26990**.
 - B. When ordering lamps, include model number and serial number.

Exposure Time and Frequencies

Melanin - The brownish pigment produced by special cells in the base layer of your skin determines the individual's tan. As the skin is exposed to the ultraviolet light, the melanin is activated and combines with protein cells that rise to the skin's surface, thus producing a tan.

The amount of melanin in your body determines how quickly and dark you tan. The more melanin produced and exposure time an individual has, the faster and deeper the individual will tan. Do not tan more than once in a twenty-four (24) hour period.

NOTE

The tan produced by the tanning unit is a deep, rich "COSMETIC" tan. However, regardless of how dark an individual may tan on this system, it will not provide adequate protection against overexposure to natural sunlight or UVB tanning systems.

SKIN TYPE II - This is the individual that usually burns easily and severely, tans minimally or lightly and peels.

SKIN TYPE IV - This individual burns minimally, tans easily and above average with each exposure.

SKIN TYPE III - Often referred to as "AVERAGE" complexion, burns moderately and tans about average.

SKIN TYPE V - This individual's system rarely burns, tans easily and substantially.

RECOMMENDED EXPOSURE SCHEDULE					
SKIN TYPE	WEEK 1 1 ST-3RD TREATMENTS	WEEK 2 4TH-6TH TREATMENTS	WEEK 3 7TH-10TH TREATMENTS	WEEK 4 11TH-15TH TREATMENTS	WEEKLY SUBSEQUENT TREATMENTS
II - FAIR	3 MIN.	7 MIN.	15 MIN.	20 MIN.	20 MIN.
III - AVERAGE	3 MIN.	7 MIN.	15 MIN.	20 MIN.	20 MIN.
IV - BROWN	3 MIN.	10 MIN.	15 MIN.	20 MIN.	20 MIN.
V - DARK BROWN	3 MIN.	10 MIN.	15 MIN.	20 MIN.	20 MIN.

MAXIMUM EXPOSURE TIME IS 20 MINUTES.

No two individual skin tones are the same. A tan to one person may be different to another and treatment length may vary.

NOTE: Adequate ventilation of the room or booth housing the tanning unit is required for proper and comfortable operation. Your tanning unit will perform best at the ambient temperature of 75° to 90° F. Equally important many facial makeups have oil bases and should be removed prior to a session. It is

recommended that, following a tanning session, a skin moisturizer be applied. This promotes a smoother, more even looking tan. It is recommend you so not use tanning creams, oils or lotions intended for outdoor use.

226GF Assembly Instructions 232GF

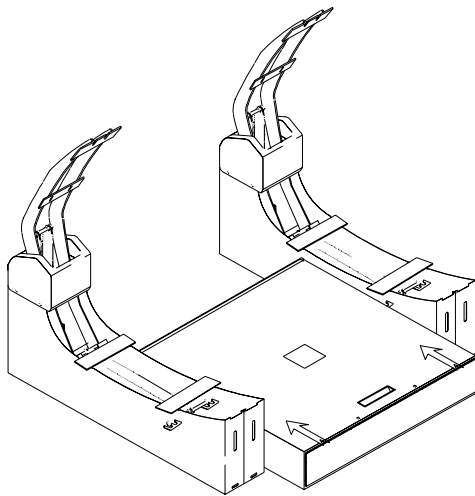


Illustration A1

NOTE: Check to insure that the serial numbers on the outside of the boxes match before assembling. Remove packaging and ballast drawer from carton marked **BAL**. Remove leg assemblies from carton marked **LEG**.

Step 1

Place ballast drawer in desired location. Position the top and bottom unit connection receptacles toward the back wall of the tanning room.

Step 2

Place leg assemblies against each side of ballast drawer.

(See Illustration A1)

Step 3

Remove packing and unit from carton marked bottom unit. Locate four (4) 1/4" nuts and washers from parts package.

Step 4

Lift bottom unit into position over leg assemblies. Lower unit slowly and align studs that protrude from back panel with mounting holes in leg assemblies.

(See Illustration A2 and A3)

Illustration A2

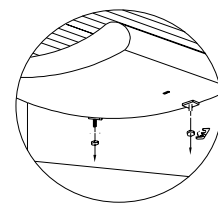
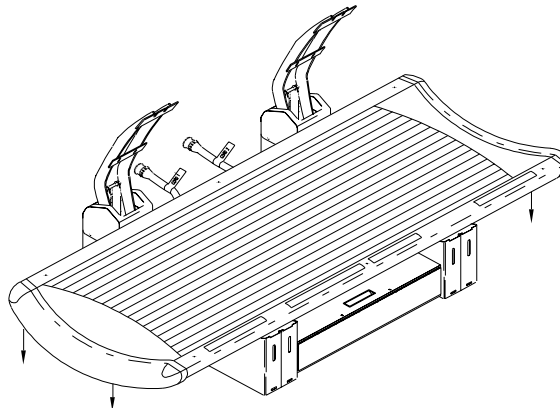


Illustration A3

Step 5

Secure bottom unit to leg assemblies with four (4) 1/4" nuts and washers.

(See Illustration A3)

NOTE: Power cords from back of unit must drape over ballast drawer area.

226GF Assembly Instructions 232GF

Step 6

Remove packing and unit from carton marked **TOP UNIT**. Lift top unit into position, (acrylic facing down), so that bolts protruding out of back panel align through slots on mounting bracket of leg assembly.

(See Illustration A4)

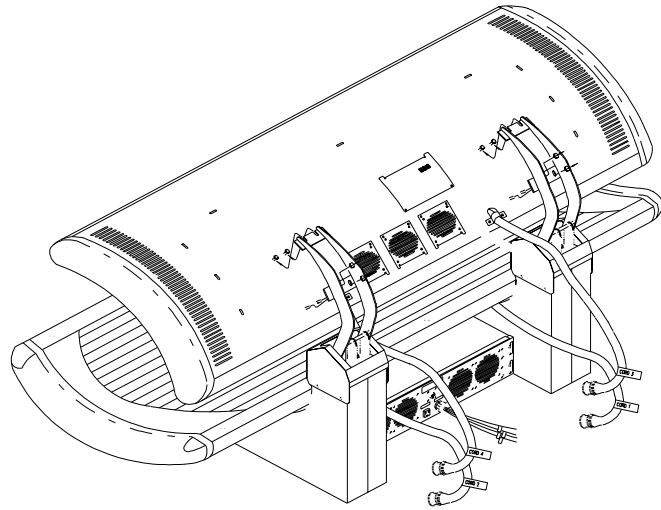


Illustration A4

Step 7

Attach top unit to leg assemblies using the eight (8) 5/16" nylock nuts and washers previously removed. Top unit must be secured tightly against the top position of the slots in the hinge mounting brackets.

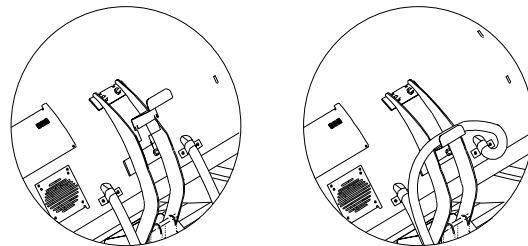
(See Illustration A4)

Step 8

Loosen the two (2) bottom hex nuts on head end hinge bracket enough to slide the cord bracket between the washer and nut, then re-tighten nuts. After attaching bracket, hang facial across bracket.

(See Illustration A5)

Illustration A5



Step 9

To install hinge/fan cover, close top unit. Lift back of hinge/fan cover to approximately a 45° angle. Align front hinge cover locking tabs with holes in top unit component cover. Slowly lower back of cover, snapping the side locking tabs into component cover until all tabs have been inserted. Cover should fit tightly to radius of top unit.

(See Illustration A6)

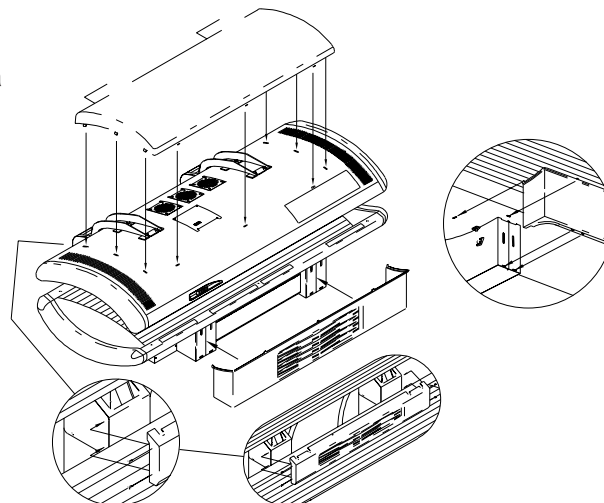
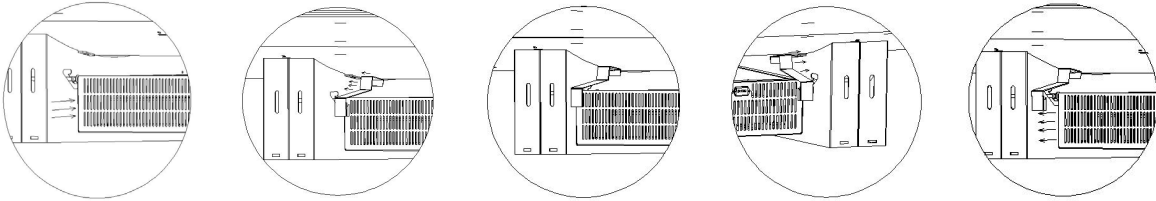


Illustration A6

Step 10

Position the ballast drawer box approximately 3" behind the front most part of the leg. Insert left ballast drawer strap between bottom back panel and leg mounting bracket. Ballast drawer strap should be flush against outer leg.

Insert right ballast drawer strap between bottom back panel and leg mounting bracket. Ballast drawer strap should be flush against outer leg shell. Pull ballast box towards ballast drawer strap. Insert hooks from right and left ballast box straps into ballast box. **(See Illustration A6)**

**Illustration A6****Step 11**

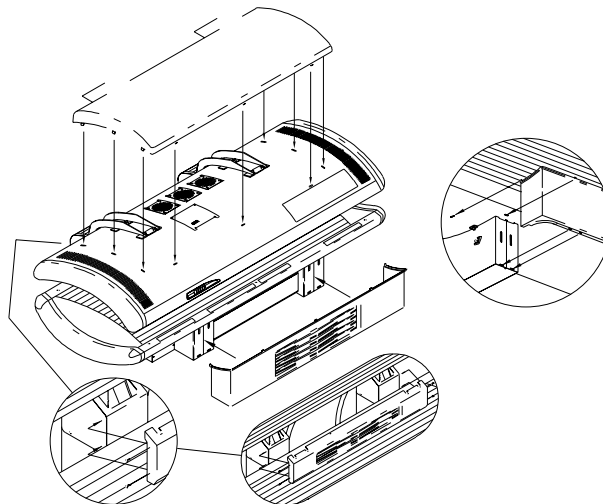
To install ballast drawer concealment panel, place cover in close proximity of the legs centered under unit. Align hooks in back of cover with holes in bottom unit component cover. Insert hooks in bottom unit. Align top cover locking tabs with holes in bottom unit and insert. By placing both hands under the bottom of cover, snap bottom locking tabs in holes in legs, one side at a time. Cover should fit tightly to unit.

(See Illustration A7)

Step 12

To install upper leg concealment panel, place cover in front of legs between top and bottom unit. Attach the concealment panel in the four (4) provided snap rivets.

(See Illustration A7)

**Illustration A7**

Step 13**TOP UNIT POWER CONNECTION**

Locate power cord No. 4 align with receptacle labeled No. 4, and twist clockwise until locked.

(See Illustration A8)

Repeat procedure for cable No. 3

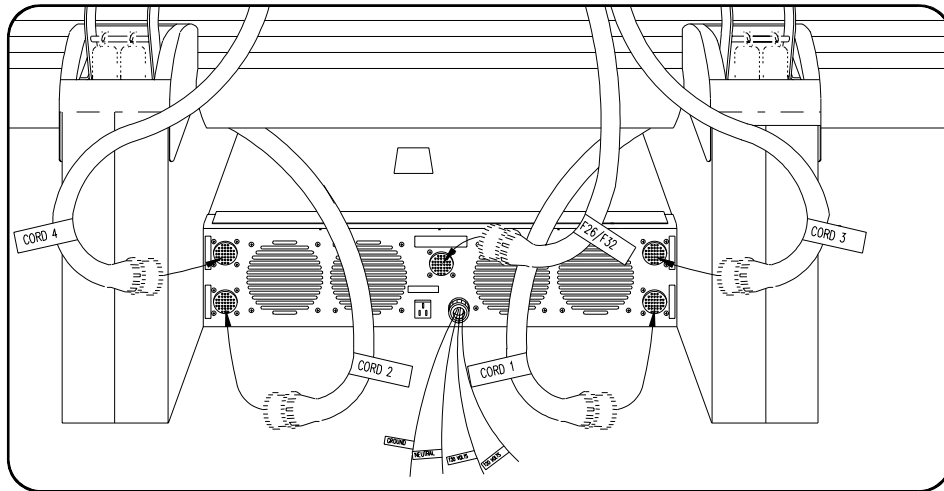


Illustration 8

Step 14

BOTTOM UNIT POWER CONNECTION Locate power cord No. 2 align with receptacle labeled No. 2, and twist clockwise until locked.

(See Illustrated A8)

Repeat procedure for cable No. 1.

NOTE: Insure that pins in cord are aligned properly, **DO NOT FORCE INTO PLACE**. Also, insure cord is installed in proper receptacle.

NOTE: Adjust only one leg assembly at a time.

Step 1

Remove ballast concealment panel, this will expose the spring adjustment slots located in the front of each leg. Lift top unit to full upright position and hold.

Step 2

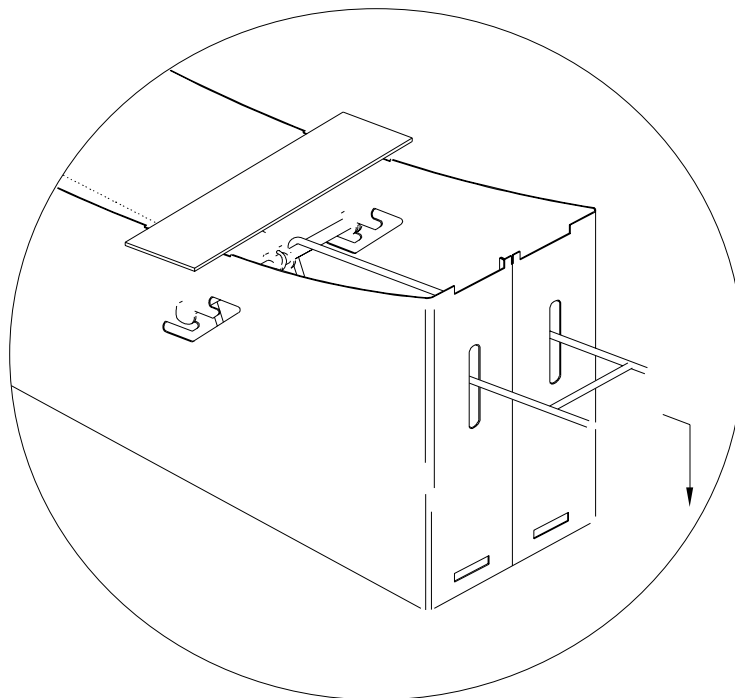
Insert spring adjustment tool in the slots in the front of leg. Latch tool securely to the spring attachment rod and pull forward. Move the spring to the top slot in the leg to increase lift and place spring to the bottom slot to decrease lift.

Step 3

Test adjustment by slowly opening and closing top canopy. Unit should operate smoothly.

Step 4

Repeat procedure on opposite leg if needed.



226GF

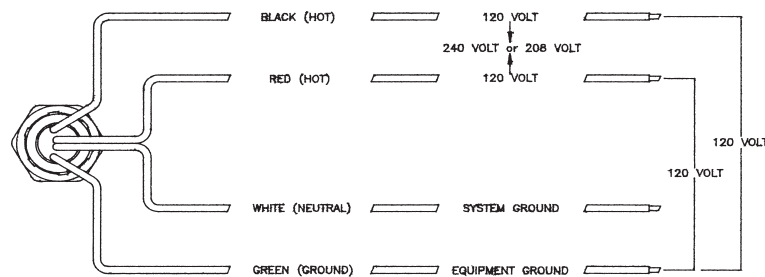
Unit Connection: This unit must be connected to a 120/240 Volt 20 amp or 120/208 Volt, 20 amp service by the means of 1/2" conduit connection.
Contact your local electrician.

232GF

Unit Connection: This unit must be connected to a 120/240 Volt 30 amp or 120/208 Volt, 30 amp service by the means of 1/2" conduit connection.
Contact your local electrician.

Note: Leave sufficient slack in conduit to allow ballast drawer to slide out fully.
Approximately 3 additional feet required.

Wiring Diagram

**CIRCUIT REQUIRED**

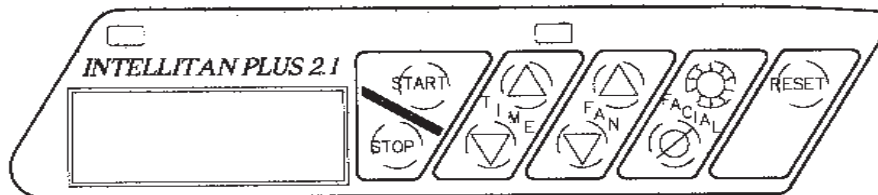
226 120/208 Volts 1Ø 20 AMP or
120/240 Volts 1Ø 20 AMP
1/2" FLEXIBLE CONDUIT CONNECTION

232 120/208 Volts 1Ø 30 AMP or
120/240 Volts 1Ø 30 AMP
1/2" FLEXIBLE CONDUIT CONNECTION

ALL FOUR (4) POWER WIRES 10 GA. OR LARGER

Intellitan Plus by Sun Ergoline

Operating Instructions



To Set Time

STEP 1: Press on the button labeled time to reach desired setting in minutes.

STEP 2: Press "START" to begin operation. The session is counted down in minutes and seconds.

NOTE: If a session delay is preprogrammed (P04), the display will begin to flash the session time. The display will continue to flash the session time for the duration of the session delay according to the programming or until the "START" button is pressed. If the "START" button is pressed before the session delay expires, the display will stop flashing and the session time will begin to count down. At one (1) minute, before the start of the tanning session, an audible beep will sound (if programmed in P02). At thirty (30) seconds, before the start of the tanning session, another audible beep will sound. At ten (10) seconds the audible beep will sound and continue once each second until tanning unit lights. Once the tanning unit has started, the session delay will not repeat on subsequent restarts.

To Stop Unit

STEP 1: Press "STOP" anytime during a session. This will stop the countdown and hold time. To restart the unit simply press "START" .

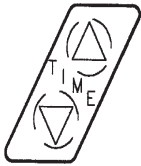
To Clear Time

STEP 1: Press "RESET", the timer clears to read 00:00.

NOTE: If the unit is counting down, the "STOP" button must be pressed before resetting.

Timer Edit Procedure

To Change Parameters



To enter the System's data bank, monitor operations and verify the vital functions concerning your unit, use the following step-by-step instructions.

Note: Each timer manufactured after 1995 displays the current software version on power up. These instructions are for level 23 and above of the Intellitan Plus timer.

Note: Use the st located on the time button only.

Enter Password Clearance

1. Press (at the same time) then release st buttons located on the TIME position; the display will change from 00:00 to 0000. If you cannot get the display to change to 0000, assure that you have disconnected the network cable(s) from the timer. If power to the tanning unit is not cycled on/off after disconnecting the network cable, you must wait for thirty seconds for the timer to award access the above mentioned buttons.
2. Press the "RESET" button once so that 0000 begins to flash.
3. Use the s button to enter the appropriate password to perform the desired function. Password 0010 (ten) must be entered to view parameters, and 0102 (one hundred and two) to edit parameters. After entering the password press the "RESET" button. The display will stop flashing and 0001 (level one) or 0002 (level two) will appear in the display.
4. Press the "START" button to enter parameter mode, then press s button to reach the desired parameter. If you go past a parameter you may press the t to return to the desired parameter. Each time a button is pressed the timer will display PXX (XX represents numbers) representing the parameter reached and the display will change showing the value of the parameter.
5. If you are using the second level password, press the "RESET" button to edit the parameter (once the "RESET" button is pressed the display will begin to flash). Use either the t or s button to set the appropriate value for the parameter, then press "RESET" to exit the parameter.
6. Press the appropriate t or s button to reach another parameter. Press the button "START" to exit the edit parameter mode.

Parameter Detail

P02 Parameter 2 is the chime mechanism that provides an audible 'beep' sound when the keys are depressed and to indicate the various operations occurring. The audible beep can be turned on or turned off. The unit comes with the chime mechanism turned on to provide an audible beep.

When parameter 02 is shown, the display will read 0001. To maintain the chime mechanism, press the **s** now and go to **P03**. To silence it, do the following:

To Change Parameter 2, Alarm On/Off

Press "RESET" once then release it. The display will begin to flash. Press **t** and hold it down, scrolling down to 0000. Now press "RESET" once again. The chime is now deactivated. To reactivate the chime, change parameter 02 back to 0001 using the same instructions provided above.

Now press **s** to reach **Parameter 3 (P03), the Fan Delay or Post Session Cooling .**

P03 Parameter 3 is the fan delay. The fan delay maintains proper cooling of the tanning unit by continuing to provide power to the cooling fans for a programmable amount of time after you enter the System's data bank, monitor operations and verify the vital functions concerning your unit, use the following step-by-step instructions. Note: Each timer manufactured after 1995 displays the current software version on power up. These instructions are for level 23 and above of the Intellitan Plus timer. The tanning session has completed. The unit comes with the fan delay preprogrammed at one (1) minute. Certain salon conditions may warrant a higher fan delay to maintain proper cooling. The fan delay cannot be turned off.

When parameter 03 is shown, the display will read 1.0 representing one minute. To change the fan delay, do the following:

To Change Parameter 3, Fan Delay

Press "RESET" once then release it, the display will begin to flash. Press either **s** or **t** to reach desired setting. Time is displayed from 1.0 to 5.0, with decimal representing tenths of a minute. For Example: 1.5 equals 1 minute, 30 seconds. After setting the fan delay press "RESET" once then release it. The fan delay is now set.

Now press **s** to reach **Parameter 4 (P04), the Session Delay function.**

Parameter Detail

P04 Parameter 4 is the session delay. The session delay allows a programmable amount of time at the beginning of a session to get ready for the tanning session. The tanning session time shown on the timer flashes during the session delay. The unit comes on immediately with no session delay preprogrammed.

To Change Parameter 4, Session Delay

When parameter 04 is shown, the display will read 0.0 for no session delay. To change the session delay, do the following:

Press "RESET" once then release it, the display will begin to flash. Now press \mathbb{S} or \mathbb{T} to reach the desired setting. Time is displayed from 0.0 to 10.0, with the decimal representing tenths of a minute. For Example: 2.5 equals 2 minutes, 30 seconds. After reaching the desired setting, press "RESET" once and release it. Session delay is now set.

Now press \mathbb{S} to reach Parameter 5 (P05), the Station Address function.

P05 Parameter 5 is the station address. The station address allows the tanning unit to be identified for interface with the CCS series controllers, the Intellitank Single Station Console, or the Intellitank Protocol Interface (IPI) for your computer system. The unit comes with a station address of zero (0) preprogrammed, if you have multiple units each must be uniquely addressed.

To Change Parameter 5, Station Address

When parameter 05 is shown, the display will read 0000 for station address zero. To change the station address, do the following:

Press "RESET" once and release it, the display will begin to flash. Now press \mathbb{S} or \mathbb{T} to reach desired address setting. Once the desired setting is reached press "RESET" once and release it. The station address is now set.

Now press \mathbb{S} to reach Parameter 6 (P06), the Lamp-Hour Accumulation on Current Lamp Bank function.

P06 Parameter 6 is the lamp hour accumulation counter. The lamp hour accumulation counter keeps track of the number of hours on the current lamp bank. This is a resettable parameter that should be reset to 0 when the lamps are changed. When current lamp hour accumulation reaches 1000, a beep will chime each time the unit is turned on, indicating that a lamp change is necessary. Chime will not sound if it has been turned off through parameter 2. Parameter 6 and 32 are only editable at password level 1.

When parameter 06 is shown, the display will read from 0000 to 9999. To clear the lamp hour accumulator, do the following:

To Clear Parameter 6, Lamp Hour Accumulation

Press "RESET" once and release, the display will begin to flash. Now press and hold \mathbb{T} until 0000 is displayed. When the display reads 0000 press "RESET" once and release. Lamp hour accumulation is now cleared.

Now press \mathbb{S} once and release it to reach Parameter 7 (P07), to measure A/C Voltage Phase A.

P07 Parameter 7 is the measurement of the A/C voltage on phase A. The A/C voltage will be immediately displayed from 0000 to 0200 volts, with 0120 as the nominal reading.

Now press \mathbb{S} once and release it to reach Parameter 8 (P08), to measure A/C Voltage Phase B.

Parameter Detail

P08 Parameter 8 is the measurement of the A/C voltage on phase B. The A/C voltage will be immediately displayed from 0000 to 0200 volts, with 0120 as the nominal reading.

Now press **S** and release it to reach Parameter 9 (P09), to measure the Average Voltage on Phase A.

P09 Parameter 9 is the measurement of average A/C voltage on Phase A for the previous session, or current session if unit is energized. The reading is immediately displayed.

Now press **S** and release it to reach Parameter 10 (P10) for measuring the average voltage on Phase B.

P10 Parameter 10 is the measurement of average A/C voltage on Phase B for the previous session, or current session if the unit is energized. The reading is immediately displayed.

Now press **S** and release it to reach Parameter 11 (P11), the measurement of the unit's Operating Temperature.

P11 Parameter 11 is the measurement of the unit's internal operating temperature. The reading is immediately displayed. Measurement is in Fahrenheit.

Now press **S** and release it to reach Parameter 12 (P12), the measurement of the unit's Ambient Temperature.

P12 Parameter 12 is the measurement of the units ambient or room temperature. The reading is immediately displayed. Measurement is in Fahrenheit.

Now press **S** once and release it to reach Parameter 13 (P13), the Measurement of the units Average Operating Temperature.

P13 Parameter 13 is the measurement of the unit's average operating temperature during the previous session or current session if the unit is energized. The reading is immediately displayed. Measurement is in Fahrenheit.

Now press **S** once and release it to reach Parameter 14 (P14), the measurement of the Average Ambient Temperature.

P14 Parameter 14 is the measurement of the average ambient or room temperature during a previous session or current session if the unit is energized. The reading is immediately displayed. Measurement is in Fahrenheit.

Now press **S** once and release it to reach Parameter 15 (P15), the Clean Room Feature.

Parameter Detail

P15 Parameter 15 is the clean room feature. When on, the clean room feature will show all dashes (----) on the timer display at the end of each tanning session to show that the tanning unit needs to be cleaned. In network mode, no new time can be placed on the timer when the clean room indicator is displayed. To reset the clean room feature from the room, indicating that the room has been cleaned, press the "RESET" button twice in rapid succession. The unit comes with the clean room feature off.

To Change Parameter 15, Clean Room Feature

Press "RESET" once then release it, the display will begin to flash. Now press \mathbb{S} once to display 0001, then press "RESET" once and release it. The Clean Room Feature is now enabled. To disable the Clean Room Feature simply change parameter 15 back to 0000.

Now press \mathbb{S} once and release it to reach Parameter 16 (P16), The Econometer

P16 Parameter 16 is the Econometer. The Econometer measures the electrical cost to power unit for previous session or the current session if the tanning unit is active. The cost displayed is derived from the session cost per minute entered in P17. The reading is displayed immediately. Measurement is in cents and tenths of a cent. This function is read only and can not be changed.

For Example - A reading of 10.7 would equal 10.7 cents.

Now press \mathbb{S} once and release it to reach Parameter 17 (P17), Cost Per Session.

P17 Parameter 17 is the session cost per minute. This figure is automatically entered into the tanning unit's data bank in accordance with the National Average of 7.5¢ per kilowatt hour. The formula used is $\text{Unit KwH Draw} \times \text{National Average} / 60 \text{ minutes} = \text{cost per minute}$. In the case of the R32B this is $3.1 \times 7.5 / 60 = 0.388$ rounded up to .4 cents per minute.

To Change Parameter 17, Cost Per Minute

Press "RESET" once then release it, the display will begin to flash. Now press \mathbb{S} or \mathbb{T} until the desired cost per minute is displayed. Measurement in cents and tenths of a cent. For Example. A reading of .4 would equal four tenths of one cent. Once the desired reading is displayed press "RESET" once and release it. The Cost Per Minute is now set.

Now press \mathbb{S} once and release it to reach Parameter 18 (P18), The Session Counter.

P18 Parameter 18 is the Session Counter. The session counter displays the total number of times a session has been started since first day of operation. The session counter counts from 0000 to 9999 then rolls over. The session counter cannot be adjusted or reset.

Now press \mathbb{S} once and release it to reach Parameter 19 (P19), Total Hour Accumulation.

P19 Parameter 19 is the total hour accumulator. This accumulator displays the total number hours on the unit since first day of operation. The accumulator counts from 0000 to 9999 then rolls over. The total hour accumulator cannot be adjusted or reset.

Now press \mathbb{S} once and release it to reach Parameter 24 (P24), Continuous Countdown Mode.

Note: Parameters 20-23 are reserved for factory use.

Parameter Detail

P24 Parameter 24 is the continuous countdown mode toggle. The default is 0 for disabled. The continuous countdown mode allows the salon owner to maintain a tighter schedule by disabling the pause function of the timer thus allowing the tanning time to continue to count down even if the lamps are turned off by pressing the start/stop key. This feature is only available with software level 16 or higher.

To Change Parameter 24, Continuous Countdown Mode

Press "RESET" once then release it, the display will begin to flash. Now press \mathbb{S} until 0001 is displayed press "RESET" once and release it. Next cycle the power to the timer and tanning unit off and back on. The Continuous Countdown Mode is now enabled. To disable this function change parameter 24 back to 0000.

Now press \mathbb{S} once and release it to reach Parameter 25 (P25), Keylock Configuration.

P25 Parameter 25 is the keylock configuration option. The default is 3 for 30 seconds. The keylock configuration option allows the salon owner to maintain a higher sense of security by locking out the front rail keys in several specified intervals while the timer is connected to a network. This feature is only available with software level 16 or higher. The keylock intervals are:

- 0 - Lock keys and release only when power cycled.
- 1 - Lock keys and release only when parameter is changed to an option other than 01.
- 2 - Lock keys and release only after the network cable has been removed for 2 minutes.
- 3 - Lock keys and release only after the network cable has been removed for 30 seconds.

WARNING: If you set parameter 25 to 01 (Lock until parameter changed) you will be unable to change this parameter or unlock the front rail keys without the use of a CCS-1 or other control device. The Intellititan Protocol Interface (IPI) does not edit this or any other parameter.

To Change Parameter 25, Keylock Configuration

Press "RESET" once then release it, the display will begin to flash. Now press \mathbb{S} until the desired option 0,1,2,3 is displayed, press "RESET" once and release it. Next cycle the power to the timer and tanning unit off and back on. The Keylock Configuration is now saved.

Now press \mathbb{S} once and release it to reach Parameter 26 (P26), TPI Interface Enable.

P26 Parameter 26 is the Third Party Interface (TPI) Mode toggle. The default is 0 for disabled. The Intellititan Plus timer has a TPI jack built in to the timer itself. This jack replaces the need for a second or additional interface when using other timer systems. The TPI jack is located next to the two network jacks on the top of the tanning unit (under the hinge cover). It is the larger of the three jacks and comes with a unused modular plug in the jack. When using the Intellititan Plus timer in TPI mode the Intellititan Plus looks for control voltage (5-30v) on the outside two wires of the modular cable plugged into the TPI port. When this voltage is seen, the maximum tanning time is sent to the timer and the tanning unit is started. Any session delay should be programmed on the third party timer and the Intellititan session delay should be set to 0. The front rail keys are locked in TPI mode. This feature is only available with software level 16 or higher.

To Change Parameter 26, TPI Mode

Press 'RESET' once then release it, the display will begin to flash. Now press \mathbb{S} until 0001 is displayed, press 'RESET' once and release it. Next cycle the power to the timer and tanning unit off and back on. The TPI Mode is now enabled. To disable this function change parameter 26 back to 0000.

Now press \mathbb{S} once and release it to reach Parameter 27 (P27), Timer Protocol Option.

Parameter Detail

P27 Parameter 27 is the Timer Protocol Option. The default is 0 for Intellititan Protocol. The timer protocol option allows the salon owner to change timer network protocols from the Intellititan Network to the T-Max⁽¹⁾ protocol for use with the Applied Digital T-Max Manager. For additional information please consult the T-Max documentation. This feature is only available with software level 16 or higher.

To Change Parameter 27, Timer Protocol Option

Press 'RESET' once then release it, the display will begin to flash. Now press **S** until 0001 is displayed, press 'RESET' once and release it. Next cycle the power to the timer and tanning unit off and back on. The T-Max Protocol is now on. To turn off this function change parameter 27 back to 0000 using the parameter edit instructions in the T-Max documentation. You can not use a CCS-1 or IPI with a timer using T-Max Protocol.

Now press **S** once and release it to reach Parameter 28 (P28), Total Operating Cost.

P28 Parameter 28 is the Total Operating Cost Accumulator. This parameter tracks total operating costs of the tanning unit based upon parameter 17, session cost per minute. This parameter is displayed in dollars and tenths and rolls over at \$999.9. The Total Operating Cost Accumulator can be reset to 0 at anytime in order to track or determine daily, weekly, monthly, quarterly, or annual operating costs.

To Change Parameter 28, Total Operating Cost

Press 'RESET' once then release it, the display will begin to flash. Now press until **T** 0000 is displayed, press 'RESET' once and release it. The Total Operating Cost is now reset to 0 and will begin accumulating at the next session.

Now press **S** once and release to reach **Parameter 30 (P30), Facial Control.**

P30 Parameter 30 controls the facial (P30 can only be utilized in models 232BF, 232GF, 232RF, 232PF, 226BF, 226GF, 226RF of the SUNDASH series). When the facial control parameter is set "on", the facial will turn on each time a tanning session is started. If the facial control parameter is set to "off", the facial will remain off each time a tanning session is started. When the facial control parameter is set to "off", it allows you to offer tanning sessions without the facial. Also in the "off" position the customer cannot turn the facial "on" from within the tanning room. The facial control parameter 30 is editable using level two password, and will be set to "on" when the tanning unit leaves the factory.

To turn the Facial Control off

Press "RESET" once then release it, the display will begin to flash. Now press **S** until 0000 is displayed, press "RESET" once and release it. Facial Control is now turned off and you can advance to Facial Lamp Hour Accumulator Parameter 31 (P31) the next parameter by pressing the **S** button once and releasing it.

Parameter Detail

P32 Parameter 32 is the facial lamp hour accumulator. This parameter tracks the number of hours on the current lamp bank. This parameter is resettable and should be reset to zero when the facial lamps are changed. When the current lamp hour accumulation reaches 1000, a beep will chime each time the unit is turned on, indicating that a lamp change is necessary. The chime will not sound if it has been disabled through parameter two. Parameter 6 and 32 are the only editable parameters at password level one.

To Clear parameter 32, Facial Lamp Hour Accumulation

Press "RESET" once then release it, the display will begin to flash. Now press Δ until 0000 is displayed, press "RESET" once and release it. Facial lamp hour accumulator is now cleared and will begin accumulating at the next session.

Now exit parameter mode by pressing "START/STOP" until the display reads 00:00. Any remaining parameters are for future expansion and are not used at this time.

Your Tanning System can easily be adapted for front desk and/or remote operation. Contact Sun Industries or your factory representative for more information on the Intellititan series of bed controllers.

1. T-Max is a registered trademark of Salon Systems, Inc./Applied Digital, Inc. Branson, MO.

The following troubleshooting information is divided into two sections. Section A contains items in which the owner may check without the aid of a service person. Section B contains items which must be preformed by QUALIFIED SERVICE PERSONNEL ONLY. If you have any questions other than the ones listed in your troubleshooting guide, contact your dealer or distributor.

(NOTE: All tanning units are not the same, therefore some of the causes may not apply to your unit.)

General Troubleshooting (Section A)

1. Tanning unit does not operate.

CAUSE

1. No power to unit.
2. Timer is not activated.

SOLUTION

1. Check circuit breaker servicing bed.
2. Press up button, then start button.

(Note: If there is power to the unit but the display on the timer is not lighting, you may need to replace the power board and/or the C.P.C. board. Contact Sun Ergoline or your local representative for information.)

2. Lamps will not light or lamps flicker.

CAUSE

1. Lamp not seated properly in lampholder.
2. Faulty Lamp

SOLUTION

1. Remove lamp, inspect contact on lamp, and reinstall lamp securely into lampholder.
2. Replace lamp. (Refer to Instruction Manual for correct lamp.)

3. Top unit does not hold its position.

CAUSE

1. Spring need to be adjusted

SOLUTION

1. Refer to spring adjusting in your Operation and Instruction Manual.

General Troubleshooting (Section B)

All services in the following section are to be completed by a Qualified Service Technician. This section is to aid in isolating and correcting and problems which may occur and is not intended for the use by the owner. Refer to the assembly instructions included with each unit for reference in disassembling and wiring the tanning unit. Disconnect all power to the unit before servicing. Use only factory authorize components for replacement parts.

1. Tanning unit does not operate.

CAUSE

1. Incorrect connection of incoming power.
2. Faulty timer.
3. Faulty relay in bed
4. Poor wiring connections

SOLUTION

1. Check electrical connection on wiring diagram and correct as necessary.
2. Replace
3. Replace
4. Check wiring circuit against appropriate wiring diagram and correct as required.

2. Lamps will not light.

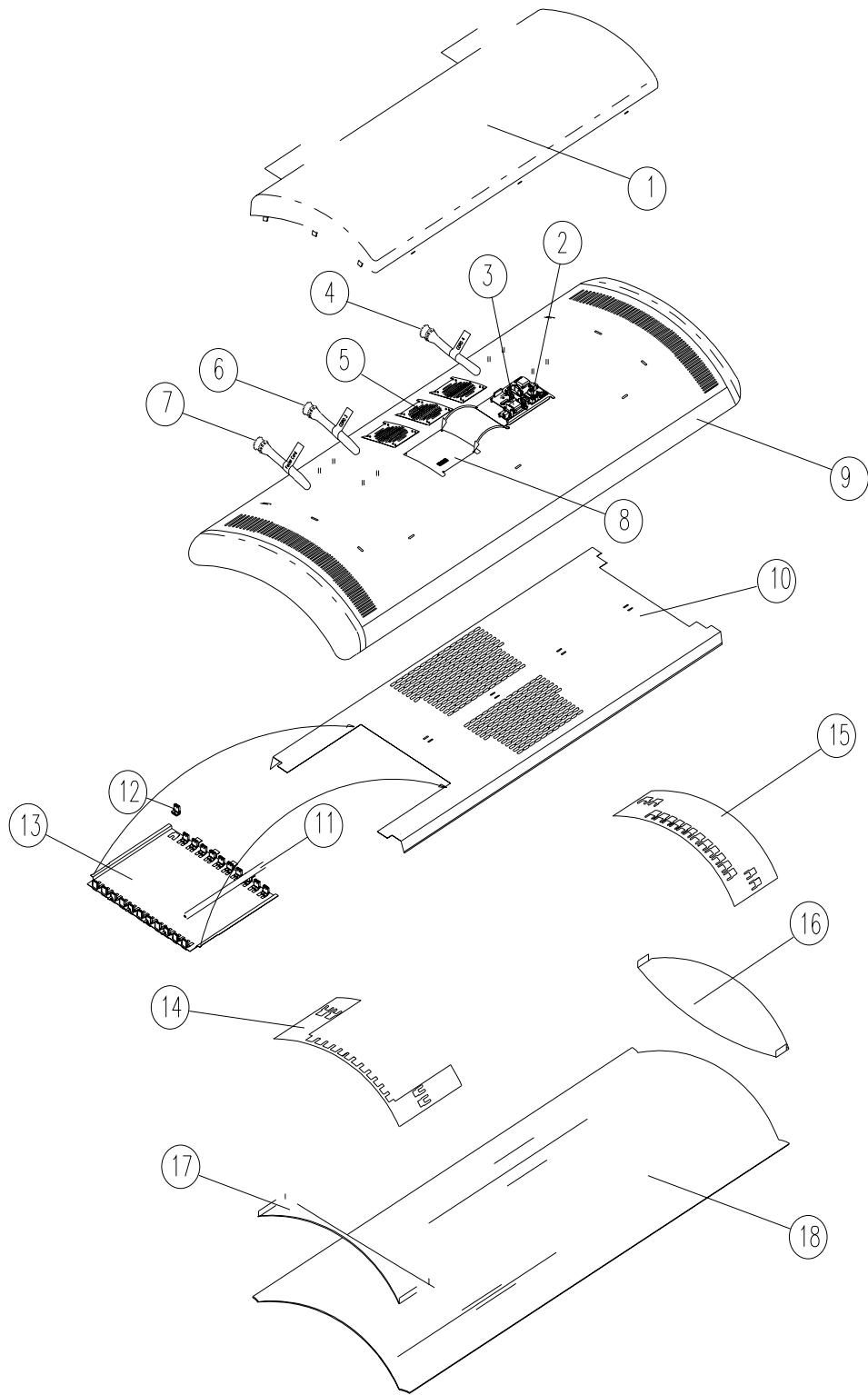
CAUSE

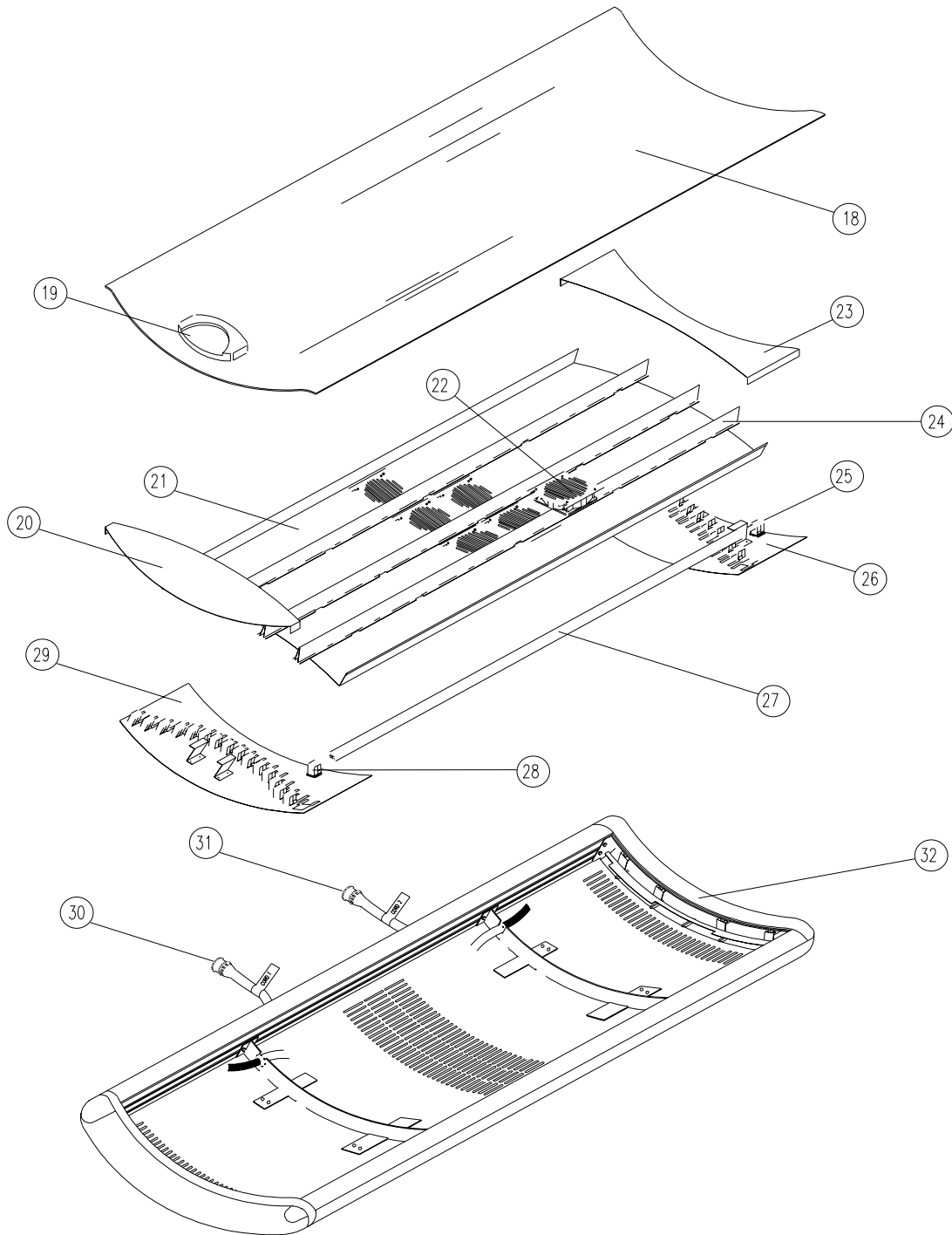
1. Poor wiring crimp at lampholder,
2. Faulty or damaged lampholder.
3. Incoming power to unit incorrect
4. Faulty ballast
5. Loose power wire to ballast

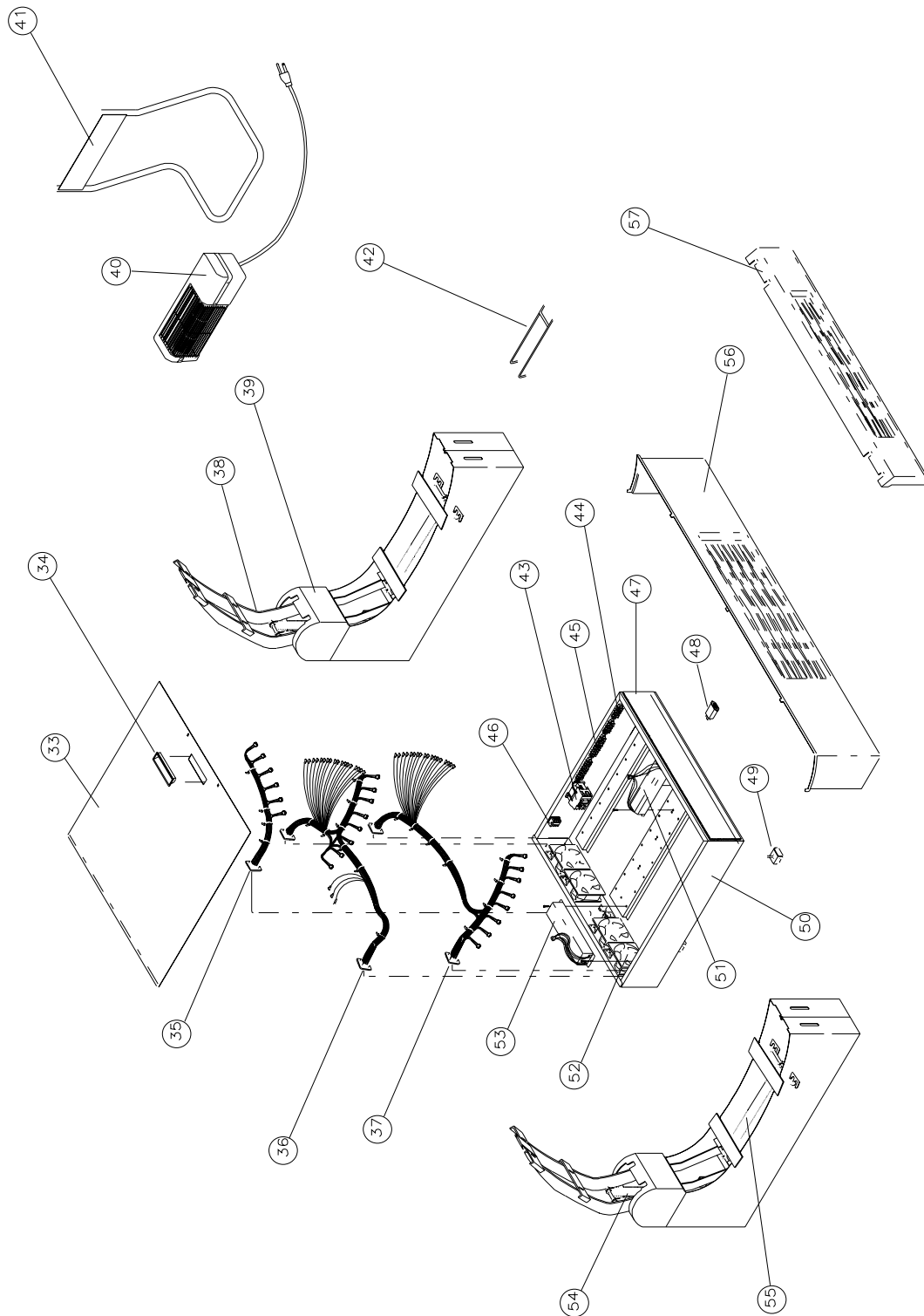
SOLUTION

1. Check for loose wire and repair.
2. Replace.
3. Check incoming voltage and correct to requirements.
4. Locate and replace
5. Locate loose wire and repair.

	Part No.	Description
1.	504167	FAN/HINGE COVER 226/232
2.	417394	TIMER POWER BOARD
3.	416172	FAN CONTROL BOARD
4.	021009	BED CORD ASSEMBLY #4 226F
	021010	BED CORD ASSEMBLY #4 232F
5.	041063	TOP FAN ASSEMBLY
6.	021710	BED CORD ASSEMBLY #3 226F
	021711	BED CORD ASSEMBLY #3 232F
7.	021715	BED CORD ASSEMBLY #5 226F
	021714	BED CORD ASSEMBLY #5 232F
8.	021725	TIMER POWER BOARD/FAN CONTROL ASSEMBLY
9.	012580	PAINTED TOP UNIT ASSEMBLY
10.	012126	TOP REFLECTOR 226GF
	012134	TOP REFLECTOR 232GF
11.	358994	SUNDASH HRF LAMP
12.	378109	T-8 MEDIUM BIPIN LAMPHOLDER
13.	012127	FACIAL LAMPCHASSIS 226F
	012122	FACIAL LAMPCHASSIS 232F
14.	012110	TOP HEAD LAMPCHASSIS 226GF
	012101	TOP HEAD LAMPCHASSIS 232GF
15.	012111	TOP FOOT LAMPCHASSIS 226GF
	012102	TOP FOOT LAMPCHASSIS 232GF
16.	012140	TOP FOOT LAMPCOVER 226F/232F
17.	012141	TOP HEAD LAMPCOVER 226F/232F
18.	329359	ACRYLIC 226/232
19.	006001	HEAD CUSHION
20.	011074	BOTTOM HEAD LAMPCOVER 226/232
21.	011528	BOTTOM REFLECTOR 226
	011530	BOTTOM REFLECTOR 232
22.	041095	REFLECTOR FAN ASSEMBLY
23.	011075	BOTTOM FOOT LAMPCOVER 226/232
24.	011320	ACRYLIC BRACE
25.	376178	TELESCOPIC LAMPHOLDER
26.	011553	BOTTOM FOOT LAMPCHASSIS 226
	011555	BOTTOM FOOT LAMPCHASSIS 232G
27.	002033	GENESIS 120WB F73-T12-HO-120WB
28.	376665	STATIONARY LAMPHOLDER
29.	011547	BOTTOM HEAD LAMPCHASSIS 226
	011549	BOTTOM HEAD LAMPCHASSIS 232G
30.	021706	BED CORD ASSEMBLY #1 226
	021707	BED CORD ASSEMBLY #1 232
31.	021005	BED CORD ASSEMBLY #2 226
	021006	BED CORD ASSEMBLY #2 232
32.	012360	PAINTED BOTTOM UNIT ASSEMBLY
33.	012701	BALLAST BOX TOP
34.	465195	SNAP IN BLACK HANDLE
35.	022001	FACIAL BALLAST HARNESS 226F
	022002	FACIAL BALLAST HARNESS 232F
36.	022003	TOP BALLAST HARRNESS 232F

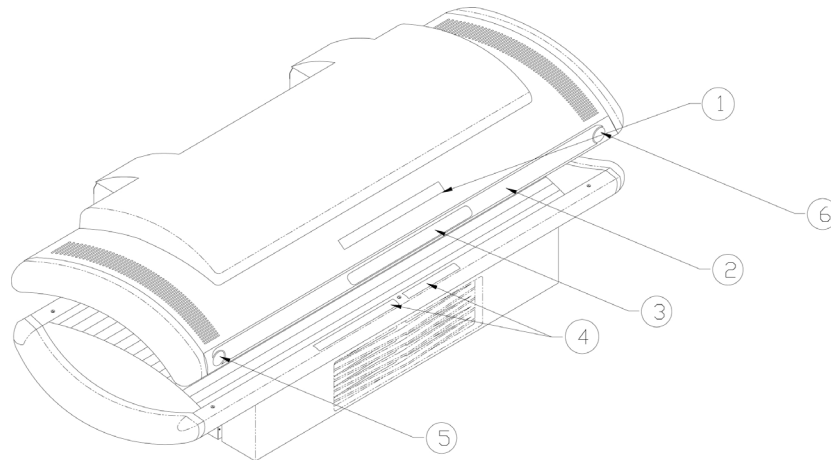






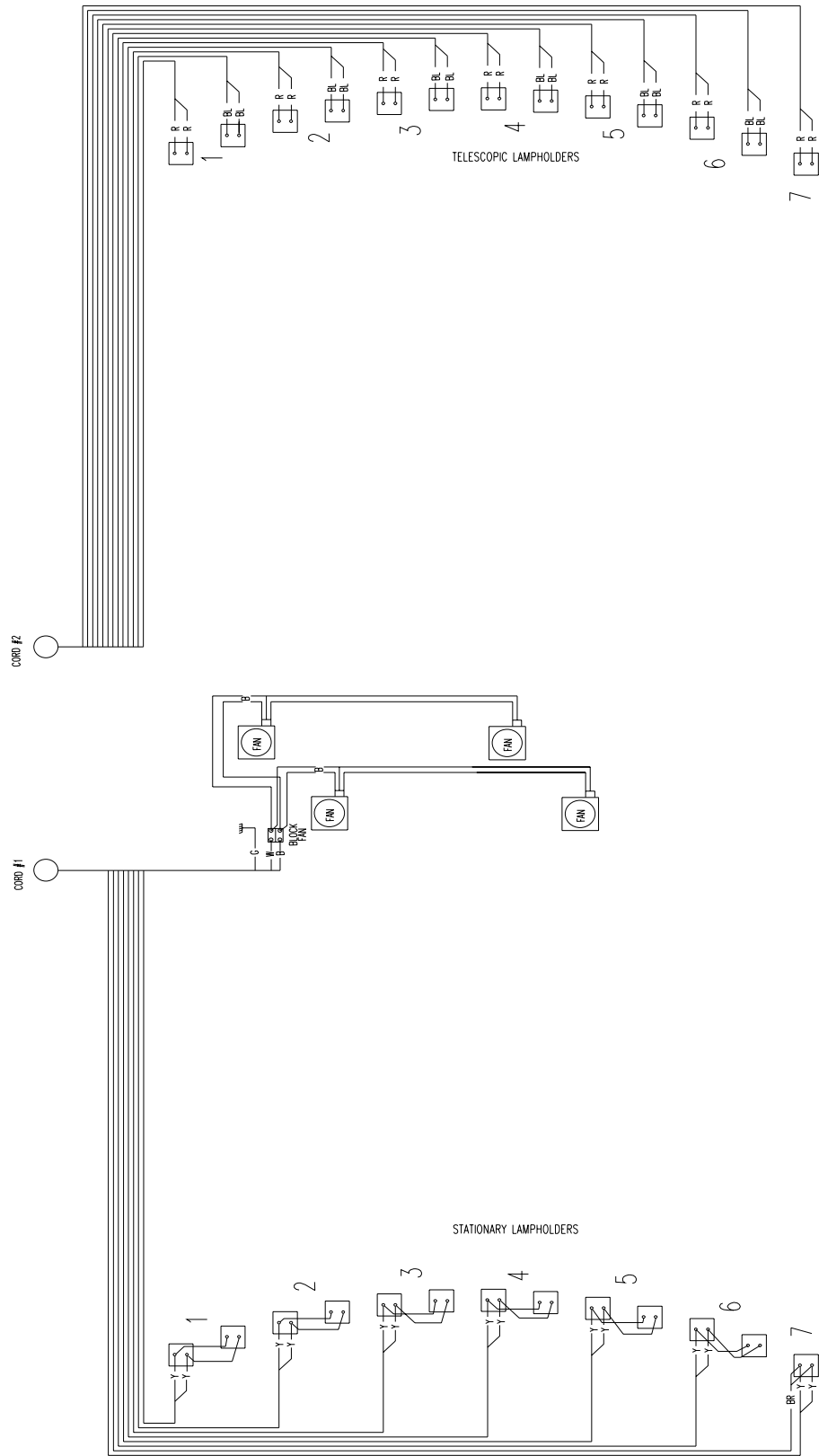
	Part No.	Description
37.	022004	TOP & BOTTOM BALLAST HARNESS 226F
	022000	BOTTOM BALLAST HARNESS 232F
38.	042303	LEG ASSEMBLY 226/232
39.	012170	LEG COVER 226/232
40.	042412	BODY BLOWER (Optional Equipment on 226GF)
41.	010685	BODY BLOWER STAND (Optional Equipment)
42.	011366	LEG SPRING ADJUSTMENT TOOL
43.	379602	12 AMP RELAY
44.	382549	16 POSITION TERMINAL BLOCK
45.	383034	32 POSITION TERMINAL BLOCK
46.	021166	3 POSITION TERMINAL BLOCK ASSEMBLY
47.	464214	BALLAST BOX FILTER 6" X 29.5"
48.	411769	HOUR METER
49.	006131	BALLAST BOX CASTERS
50.	012708	BALLAST BOX
51.	002041	FACIAL BALLAST
52.	370296	AXIAL FAN 120 V 110CFM
53.	365395	POWERCELL BALLAST
54.	467647	UPPER LEG SPRING 110LB.
55.	468132	LOWER LEG SPRING 55LB.
56.	502211	FRONT FASCIA 226/232
57.	503193	MIDDLE FASCIA 226/232

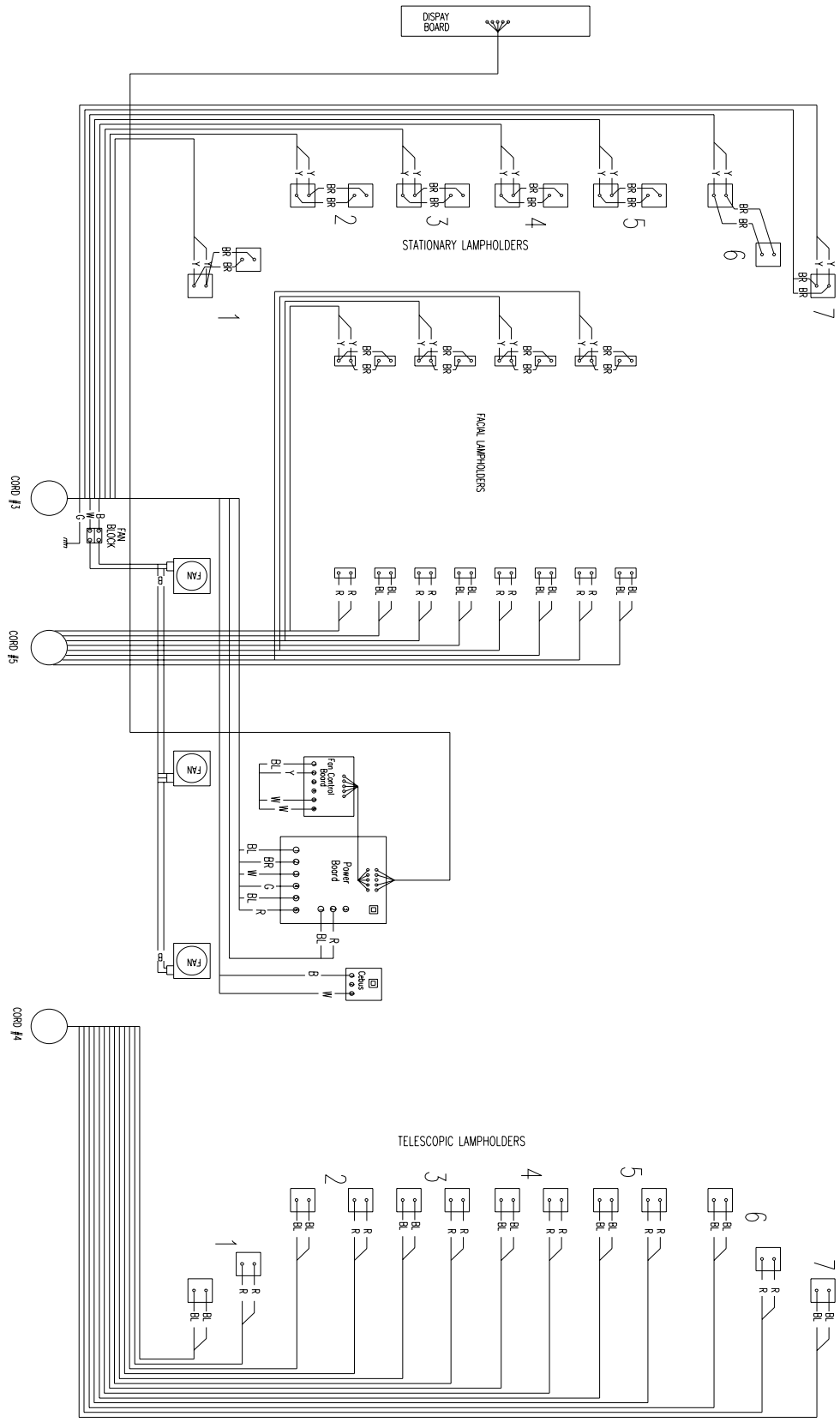
Label Diagram

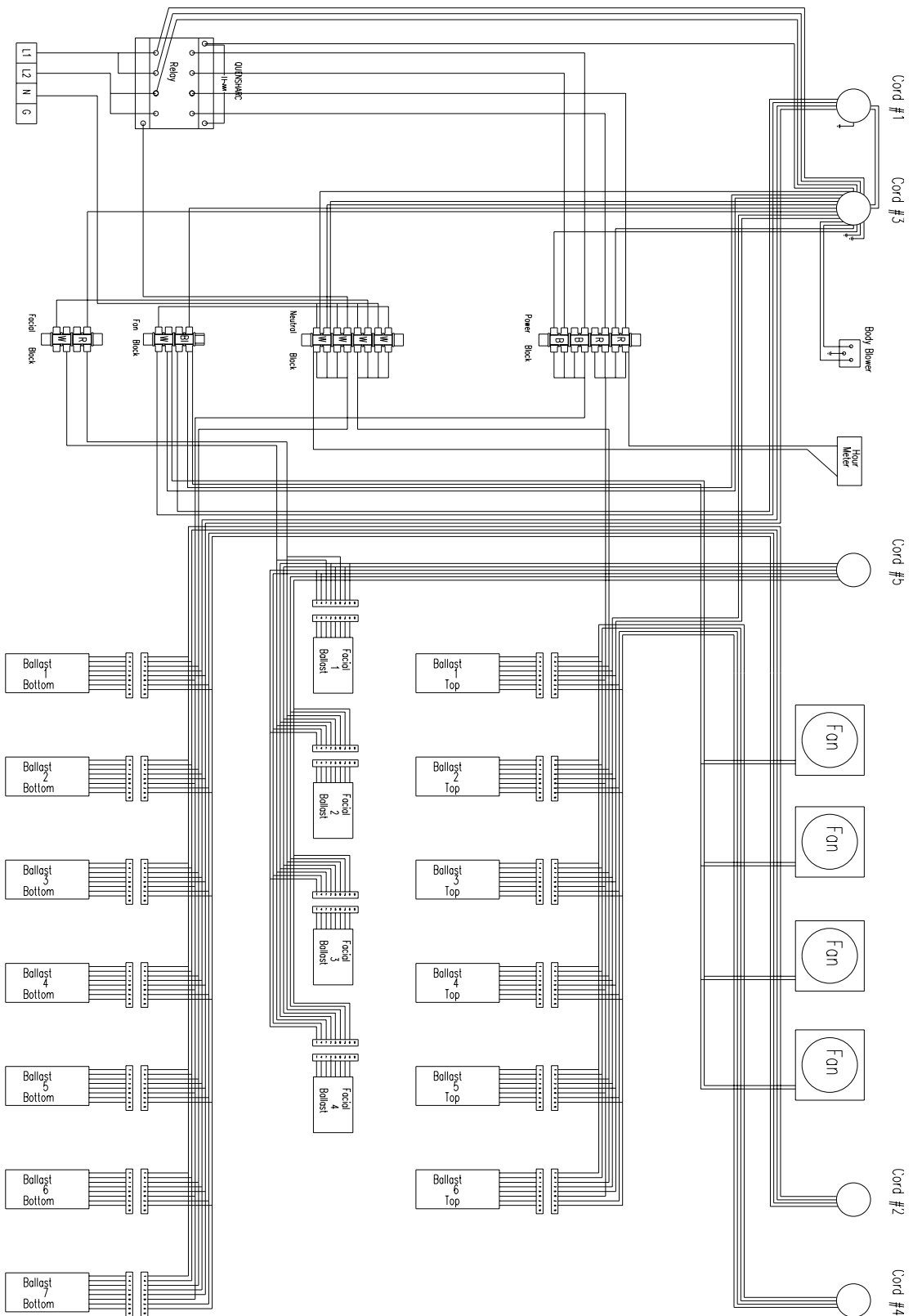


Label Part Numbers

1. 005451
2. 005472
3. 005482 - 232GF
005485 - 226GF
4. 005412
5. 005463







Cord No. 1 Connector

Ballast No.	Wire Color	Pin No.
(Back of Tray)		
1	Yellow	1 & 2
2	Yellow	3 & 4
3	Yellow	5 & 6
4	Yellow	7 & 8
5	Yellow	9 & 10
6	Yellow	11 & 12
7	Yellow	12 & 13
Fan	White - Neutral	34
Ground	Green-Ground	35
Fan	Blue-Power	36

Cord No. 2 Connector

Ballast No.	Wire Color	Pin No.
(Back of Tray)		
1	Red	1 & 2
1	Blue	3 & 4
2	Red	5 & 6
2	Blue	7 & 8
3	Red	9 & 10
3	Blue	11 & 12
4	Red	13 & 14
4	Blue	15 & 16
5	Red	17 & 18
5	Blue	19 & 20
6	Red	21 & 22
6	Blue	23 & 24
7	Blue	25 & 26

Cord No. 3 Connector

Ballast No.	Wire Color	Pin No.
(Front of Tray)		
1	Yellow	1 & 2
2	Yellow	3 & 4
3	Yellow	5 & 6
4	Yellow	7 & 8
5	Yellow	9 & 10
6	Yellow	11 & 12
7	Yellow	13 & 14
Jumper	Brown	15 & 16
Timer	Black - Power	23
Timer	Brown - Power	24
Timer	White - Neutral	25
Timer	Green - Ground	26
Timer	Blue - Fan Power	27
Timer	Red - Relay Coil	28
Body Blower	Black - Power In	29
Body Blower	White - Neutral	30
Body Blower	Yellow - Power Out	31
Facial	Black - Power In	32
Facial	Red - Power Out	33
Fan	White - Neutral	34
Ground	Green - Ground	35
Fan	Blue - Power	36
Body Blower	White - Neutral	37

Cord No. 4 Connector

Ballast No.	Wire Color	Pin No.
(Front of Tray)		
1	Red	1 & 2
1	Blue	3 & 4
2	Red	5 & 6
2	Blue	7 & 8
3	Red	9 & 10
3	Blue	11 & 12
4	Red	13 & 14
4	Blue	15 & 16
5	Red	17 & 18
5	Blue	19 & 20
6	Red	21 & 22
6	Blue	23 & 24
7	Red	25 & 26

Cord Facial Connector

Ballast No.	Wire Color	Pin No.
1	Red	1 & 2
1	Yellow	3 & 4
1	Blue	5 & 6
2	Red	7 & 8
2	Yellow	9 & 10
2	Blue	11 & 12
3	Red	13 & 14
3	Yellow	15 & 16
3	Blue	17 & 18
4	Red	19 & 20
4	Yellow	21 & 22
4	Blue	23 & 24

226GF

Bottom Unit

226GF

Cord No. 1 Connector

Pair	Wire Color	Pin No.
1	Brown	1 & 2
2	Brown	3 & 4
3	Brown	5 & 6
4	Brown	7 & 8
5	Brown	9 & 10
6	Brown	11 & 12
7	Brown	13 & 14
7	Brown	15 & 16
Fan	White - Neutral	34
Ground	Green - Ground	35
Fan	Blue - Power	36

Cord No. 2 Connector

Pair	Wire Color	Pin No.
1	Brown	1 & 2
1	Brown	3 & 4
2	Brown	5 & 6
2	Brown	7 & 8
3	Brown	9 & 10
3	Brown	11 & 12
4	Brown	13 & 14
4	Brown	15 & 16
5	Brown	17 & 18
5	Brown	19 & 20
6	Brown	21 & 22
6	Brown	23 & 24
7	Brown	25 & 26

226GF

Top Unit

226GF

Cord No. 3 Connector

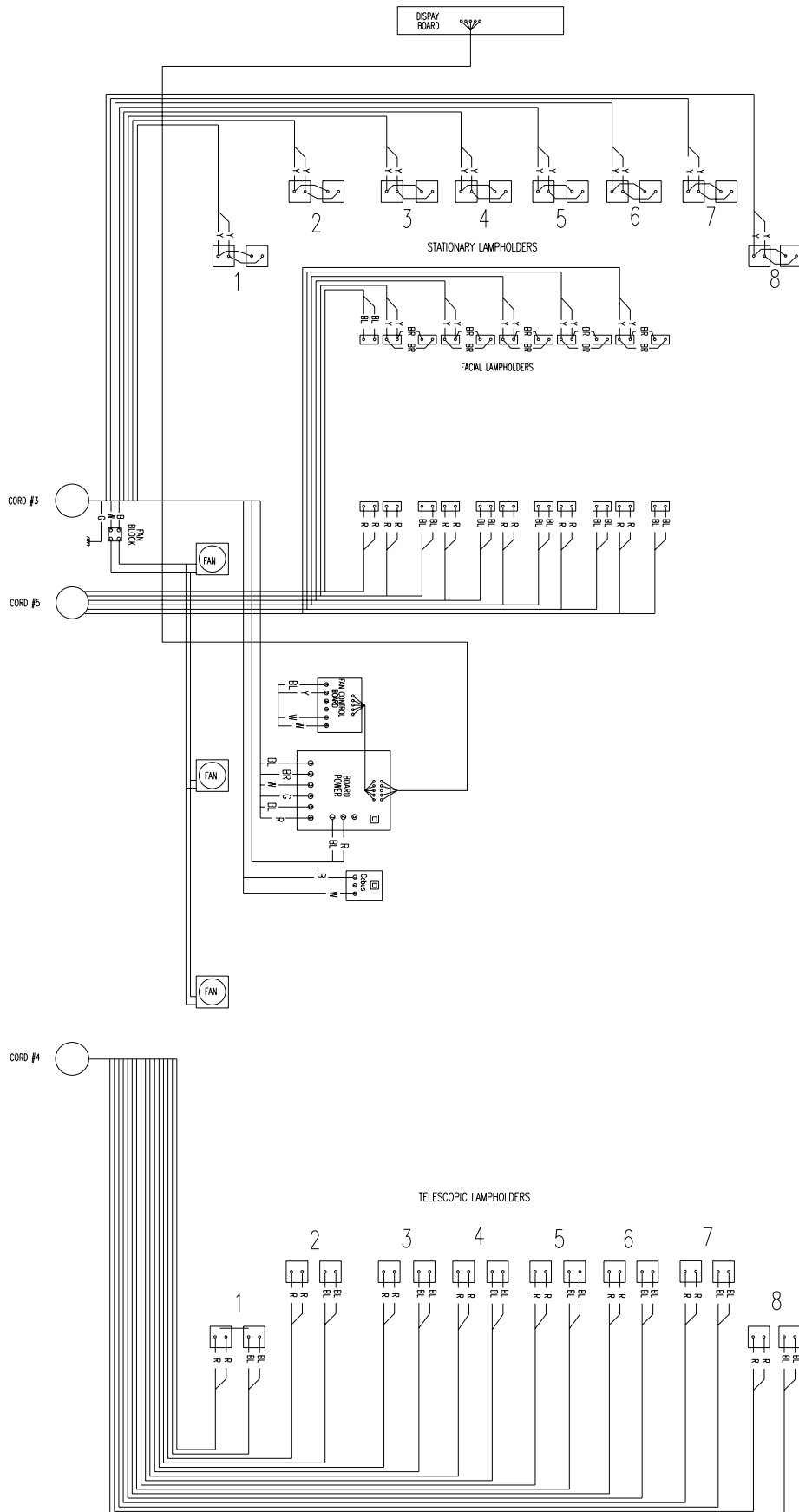
Pair	Wire Color	Pin No.
1	Brown	1 & 2
2	Brown	3 & 4
3	Brown	5 & 6
4	Brown	7 & 8
5	Brown	9 & 10
6	Brown	11 & 12
7	Brown	13 & 14
7	Brown	15 & 16
Timer	Black - Power	23
Timer	Brown - Power	24
Timer	White - Neutral	25
Timer	Green - Ground	26
Timer	Blue - Fan Power	27
Timer	Red - Relay Coil	28
Body Blower	Black - Power	29
Body Blower	White - Neutral	30
Body Blower	Yellow - Power Out	31
Facial	Black - Power In	32
Facial	Red - Power Out	33
Fan	White - Neutral	34
Ground	Green - Ground	35
Fan	Blue - Power	36
Body Blower	White - Neutral	37

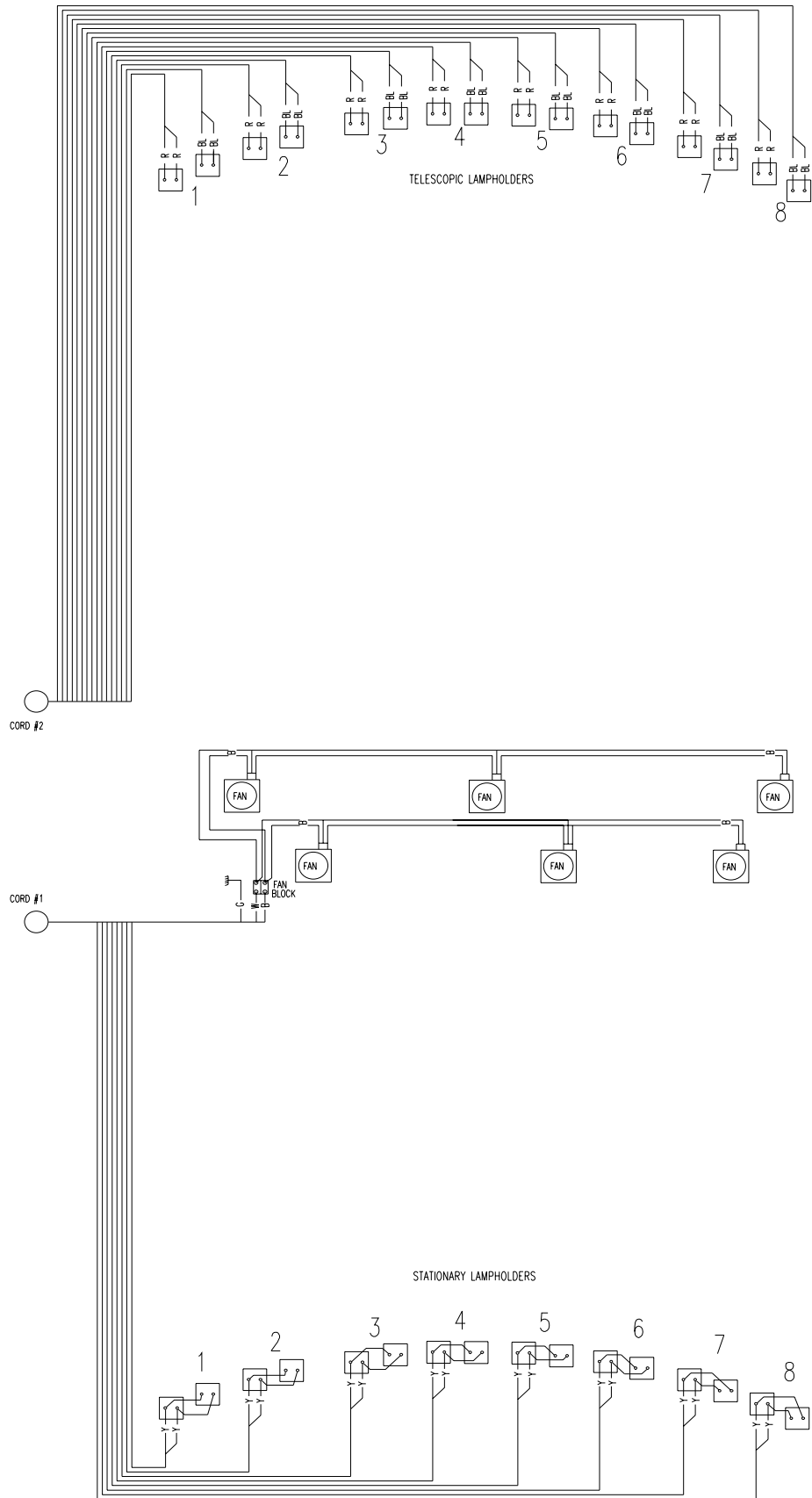
Cord No. 4 Connector

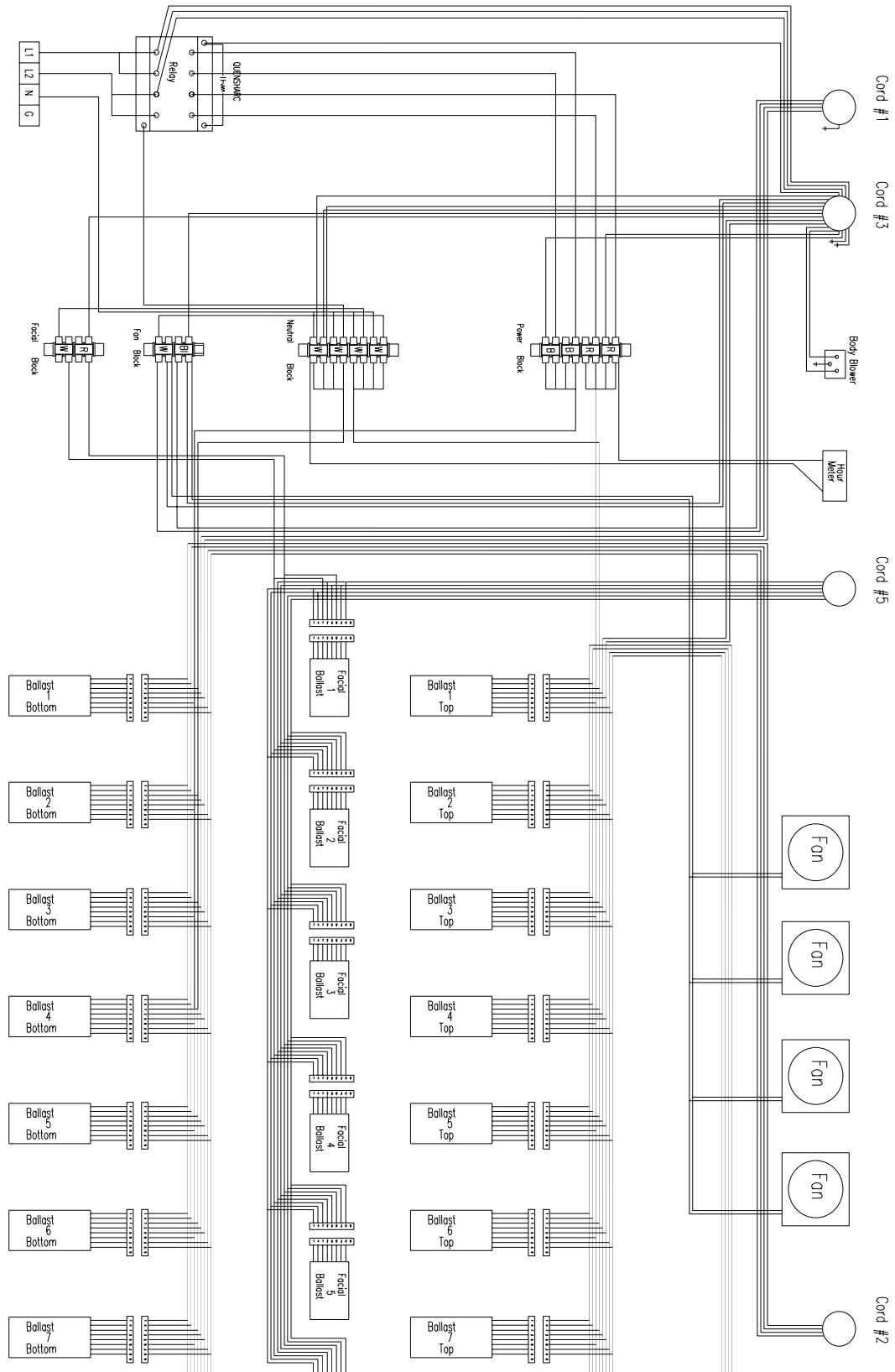
Pair	Wire Color	Pin No.
1	Brown	1 & 2
1	Brown	3 & 4
2	Brown	5 & 6
2	Brown	7 & 8
3	Brown	9 & 10
3	Brown	11 & 12
4	Brown	13 & 14
4	Brown	15 & 16
5	Brown	17 & 18
5	Brown	19 & 20
6	Brown	21 & 22
6	Brown	23 & 24
7	Brown	25 & 26

Cord Facial Connector

Pair	Wire Color	Pin No.
1	Brown	1 & 2
1	Brown	3 & 4
1	Brown	5 & 6
2	Brown	7 & 8
2	Brown	9 & 10
2	Brown	11 & 12
3	Brown	13 & 14
3	Brown	15 & 16
3	Brown	17 & 18
4	Brown	19 & 20
4	Brown	21 & 22
4	Brown	23 & 24







Cord No. 1 Connector

Ballast No. (Back of Tray)	Wire Color	Pin No.
1	Yellow	1 & 2
2	Yellow	3 & 4
3	Yellow	5 & 6
4	Yellow	7 & 8
5	Yellow	9 & 10
6	Yellow	11 & 12
7	Yellow	12 & 13
8	Yellow	14 & 15
Fan	White - Neutral	34
Ground	Green-Ground	35
Fan	Blue-Power	36

Cord No. 3 Connector

Ballast No. (Front of Tray)	Wire Color	Pin No.
1	Yellow	1 & 2
2	Yellow	3 & 4
3	Yellow	5 & 6
4	Yellow	7 & 8
5	Yellow	9 & 10
6	Yellow	11 & 12
7	Yellow	13 & 14
8	Yellow	15 & 16
Timer	Black - Power	23
Timer	Brown - Power	24
Timer	White - Neutral	25
Timer	Green - Ground	26
Timer	Blue - Fan Power	27
Timer	Red - Relay Coil	28
Body Blower	Black - Power In	29
Body Blower	White - Neutral	30
Body Blower	Yellow - Power Out	31
Facial	Black - Power In	32
Facial	Red - Power Out	33
Fan	White - Neutral	34
Ground	Green - Ground	35
Fan	Blue - Power	36
Body Blower	White - Neutral	37

Cord No. 2 Connector

Ballast No. (Back of Tray)	Wire Color	Pin No.
1	Red	1 & 2
1	Blue	3 & 4
2	Red	5 & 6
2	Blue	7 & 8
3	Red	9 & 10
3	Blue	11 & 12
4	Red	13 & 14
4	Blue	15 & 16
5	Red	17 & 18
5	Blue	19 & 20
6	Red	21 & 22
6	Blue	23 & 24
7	Red	25 & 26
7	Blue	27 & 28
8	Red	29 & 30
8	Blue	31 & 32

Cord No. 4 Connector

Ballast No. (Front of Tray)	Wire Color	Pin No.
1	Red	1 & 2
1	Blue	3 & 4
2	Red	5 & 6
2	Blue	7 & 8
3	Red	9 & 10
3	Blue	11 & 12
4	Red	13 & 14
4	Blue	15 & 16
5	Red	17 & 18
5	Blue	19 & 20
6	Red	21 & 22
6	Blue	23 & 24
7	Red	25 & 26
7	Blue	27 & 28
8	Red	29 & 30
8	Blue	31 & 32

Cord Facial Connector

Ballast No.	Wire Color	Pin No.
1	Red	1 & 2
1	Yellow	3 & 4
1	Blue	5 & 6
2	Red	7 & 8
2	Yellow	9 & 10
2	Blue	11 & 12
3	Red	13 & 14
3	Yellow	15 & 16
3	Blue	17 & 18
4	Red	19 & 20
4	Yellow	21 & 22
4	Blue	23 & 24
5	Red	25 & 26
5	Yellow	27 & 28
5	Blue	29 & 30
6	Red	31 & 32
6	Blue	33 & 34

232GF

Bottom Unit

232GF

Cord No. 1 Connector

Pair	Wire Color	Pin No.
1	Brown	1 & 2
2	Brown	3 & 4
3	Brown	5 & 6
4	Brown	7 & 8
5	Brown	9 & 10
6	Brown	11 & 12
7	Brown	13 & 14
8	Brown	15 & 16
Fan	White - Neutral	34
Ground	Green - Ground	35
Fan	Blue - Power	36

Cord No. 2 Connector

Pair	Wire Color	Pin No.
1	Brown	1 & 2
1	Brown	3 & 4
2	Brown	5 & 6
2	Brown	7 & 8
3	Brown	9 & 10
3	Brown	11 & 12
4	Brown	13 & 14
4	Brown	15 & 16
5	Brown	17 & 18
5	Brown	19 & 20
6	Brown	21 & 22
6	Brown	23 & 24
7	Brown	25 & 26
7	Brown	27 & 28
8	Brown	29 & 30
8	Brown	31 & 32

232GF

Top Unit

232GF

Cord No. 3 Connector

Pair	Wire Color	Pin No.
1	Brown	1 & 2
2	Brown	3 & 4
3	Brown	5 & 6
4	Brown	7 & 8
5	Brown	9 & 10
6	Brown	11 & 12
7	Brown	13 & 14
8	Brown	15 & 16
Timer	Black - Power	23
Timer	Brown - Power	24
Timer	White - Neutral	25
Timer	Green - Ground	26
Timer	Blue - Fan Power	27
Timer	Red - Relay Coil	28
Body Blower	Black - Power	29
Body Blower	White - Neutral	30
Body Blower	Yellow - Power Out	31
Facial	Black - Power In	32
Facial	Red - Power Out	33
Fan	White - Neutral	34
Ground	Green - Ground	35
Fan	Blue - Power	36
Body Blower	White - Neutral	37

Cord No. 4 Connector

Pair	Wire Color	Pin No.
1	Brown	1 & 2
1	Brown	3 & 4
2	Brown	5 & 6
2	Brown	7 & 8
3	Brown	9 & 10
3	Brown	11 & 12
4	Brown	13 & 14
4	Brown	15 & 16
5	Brown	17 & 18
5	Brown	19 & 20
6	Brown	21 & 22
6	Brown	23 & 24
7	Brown	25 & 26
7	Brown	27 & 28
8	Brown	29 & 30
8	Brown	31 & 32

Cord Facial Connector

Pair	Wire Color	Pin No.
1	Brown	1 & 2
1	Brown	3 & 4
1	Brown	5 & 6
2	Brown	7 & 8
2	Brown	9 & 10
2	Brown	11 & 12
3	Brown	13 & 14
3	Brown	15 & 16
3	Brown	17 & 18
4	Brown	19 & 20
4	Brown	21 & 22
4	Brown	23 & 24
5	Brown	25 & 26
5	Brown	27 & 28
5	Brown	29 & 30
6	Brown	31 & 32
6	Brown	33 & 34

Important Note

PREVENTIVE MAINTENANCE SCHEDULE

Your Competition Tanning System consists of many movable parts that may require periodic adjustments and/or replacement.

It is imperative that you, the owner and/or operator, check all components for any signs of wear which may occur through normal use.

The frequency of your preventive maintenance schedules should be determined according to equipment usage. The minimum of a monthly inspection of all components is a good guideline, however, actual frequency and thoroughness of inspections is your responsibility.

Should you require any assistance or need additional information, please call our Service Department at **1-800-445-0624, Monday through Friday 8:00 a.m. -5:00 p.m. CST**

REPAIRS-SERVICE-REPLACEMENT PARTS AND LAMPS-EYE PROTECTION

If you are in need of any of the above mentioned products or services, you should contact the dealer/distributor through whom you purchased your unit. In the event that you are unable to do so, please call our Service Department for assistance at: **1-800-445-0624.**

NOTE: All repairs and replacement components including, but not limited to, protective eyewear, lamps, timers, acrylic and reflectors must be in compliance with CFR 21 1040.20.

SUN ERGOLINE

Limited Warranty

Sun Ergoline warrants its products to be free from defects in materials and workmanship under intended normal use as described in the unit's Operation and Instruction Manual, for a period of one (1) year from date of sale.

This Limited Warranty applies only to the original purchaser of the equipment through Sun Ergoline or its authorized dealer or distributor, and is not transferable.

Sun Ergoline obligations under this warranty are limited to repair or replacement of any defective part without charge for that part to the original purchaser, with the following exceptions:

- A. Fluorescent lamps are warranted against defects for a period of thirty (30) days from date of sale.
- B. Only parts obtained through Sun Ergoline, its authorized dealers or distributors may be used. Transportation costs for parts shipped to the consumer and the return of defective parts to Sun Ergoline are not included.
- C. Labor will be furnished without charge for ninety (90) days from date of purchase only. All labor and related charges must be authorized by Sun Ergoline prior to start of repairs, and must coincide with Sun Ergoline established rates and time allotment policy.
- D. Acrylic: Refer to Manufacturer's Acrylic Warranty Policy.

It is imperative that the original customer completes and returns the enclosed warranty card within 10 days after purchase to insure valid registration and coverage for potential claims.

If the warranty card is not registered, proof of purchase from Sun Ergoline or its authorized dealer or distributor will be required prior to any consideration on warranty claims. This could result in service delays.

This warranty is extended to the individual or legal entity, whose name appears on the warranty registration card filed with Sun Ergoline, or whose name appears on the original sale document and may not be transferred to any other individual or legal entity.

This warranty does not apply to any failure of the product, or any parts of the product due to alterations, modifications, misuse, abuse, accident, improper maintenance, improper installation, acts of God or if the serial number on the product has been removed, altered or defaced. Adequate packaging must be used for returned goods to prevent freight damage.

THERE ARE NO WARRANTIES WHICH EXTEND BEYOND THE DESCRIPTION ON THE FACE HEREOF. THERE IS NO EXPRESS OR IMPLIED WARRANTY OF FITNESS OR MERCHANTABILITY.

THE REMEDIES PROVIDED IN THIS LIMITED WARRANTY ARE THE EXCLUSIVE REMEDIES PROVIDED TO THE PURCHASER BY SUN ERGOLINE AND ARE PROVIDED IN SUBSTITUTION OF ALL OTHER REMEDIES. CONSEQUENTIAL AND INCIDENTAL DAMAGES ARE EXCLUDED.

No person, firm or corporation is authorized to obligate Sun Ergoline for any liability in connection with the sale or use of these goods.

Limited Acrylic Warranty

Sun Ergoline warrants its acrylic sheets to be free from defects in material and workmanship, under intended normal use, for a period of one (1) year from date of sale of the tanning bed. Due to the tanning lotions, cosmetics, disinfectant and improper cleaners used on tanning surfaces that cannot be controlled by Sun Ergoline, after the first thirty (30) days of warranty period. Acrylic will be subject to a prorated cost to the consumer on breakage.

Sun Ergoline obligations do not include transportation charges on replacement acrylic.

Sun Ergoline assumes no liability for the cost of removing defective sheets or installing replacement sheets, nor for damage to persons or property.

To make a claim, contact an authorized dealer or distributor of Sun Ergoline or Sun Ergoline Service Department with the model number, the serial number, and the date of purchase of the bed in which the acrylic will be used.

THERE ARE NO WARRANTIES WHICH EXTEND BEYOND THE DESCRIPTION ON THE FACE HEREOF. THERE IS NO EXPRESS OR IMPLIED WARRANTY OF FITNESS OR MERCHANTABILITY.

THE REMEDIES PROVIDED IN THIS LIMITED WARRANTY ARE THE EXCLUSIVE REMEDIES PROVIDED TO THE PURCHASER BY SUN ERGOLINE AND ARE PROVIDED IN SUBSTITUTION OF ALL OTHER REMEDIES - CONSEQUENTIAL AND INCIDENTAL DAMAGES ARE EXCLUDED.

Sun Ergoline
P.O. Box 2026
Jonesboro, Arkansas 72402
1-800-445-0624
870-935-1130 (in Arkansas)

Warranty Claims

Policy & Procedures

1. When to file a Warranty Claim:

In the event that your tanning system is not functioning properly under intended normal use as described in the unit's Operation and Instruction Manual, you may then have established cause to file a Warranty Claim.

NOTE: Both the tanning system and legal registered owner must meet the criteria established under Sun Ergoline Limited Warranty as described in this manual before any Warranty Claim will be considered.

2. Where to call to place a Warranty Claim:

Sun Ergoline is supported nationwide by an extensive dealer/distributor network through whom the majority of our units are sold. These dealers/distributors are required by contract to stock sufficient parts to meet the various warranty and nonwarranty needs of their customers.

Therefore, in order for you to properly file a Warranty Claim, you must locate the name and phone number of the dealer/distributor through whom you purchased your unit. Normally this information can be easily located either on your paid invoice or other proof of purchase documentation that you received when taking delivery of the unit.

Next, notify the dealer/distributor of the serial number, model number and date unit was purchased. This will initiate the Warranty Claim process.

Upon determination of the problem, your dealer/distributor can then supply you with the part(s) and proper instructions to return your unit to working order.

Each dealer/distributor has their own internal procedure for handling Warranty Claims and credits.

NOTE: Sun Ergoline, the manufacturer, does not involve itself in the direct handling of a Warranty Claim except where mitigating circumstances apply and where required by law.

Parts Warranty Claim/Credit Review

1. Customer calls Sun Ergoline and notifies the Service Department of problem.
2. Sun Ergoline Service Department determines course of action.
3. Sun Ergoline ships part and R.A.I. to customer freight collect and bills customer on net30 basis for part only.
4. Customer, within 15 days of receiving new part, returns defective part to Sun Ergoline along with R.A.I.
5. Upon receipt of defective part and R.A.I., Sun Ergoline issues customer a credit invoice which offsets original bill. Customer's account is returned to zero balance concerning this claim.

NOTE: If part returned to Sun Ergoline proves to be operational and not defective, or if product code numbers on part do not correspond with individual unit date on file with Sun Ergoline, then a 30% restocking fee will be charged in addition to the retail purchase price of part.

Acknowledgment of the Agreement is not required for acceptance of the foregoing stipulations.

LABOR WARRANTY CLAIM/CREDIT PROCEDURES

Sun Ergoline furnishes labor without charge for a period of 90 days from date of purchase. All labor and related charges must be authorized by Sun Ergoline **prior** to start or repairs, and must coincide with Sun Ergoline established rates and time allotment policy.

Please contact our Service Department for authorization and billing procedures.

Limited Lifetime Warranty

Sun Ergoline warrants specific individual components of the Competition Tanning Systems against defects in materials and workmanship for the life of the product. Coverage is limited to units purchased after November 1, 1994.

This warranty is restricted by the following components only:

- Steel Back Panels
- Structural Steel Frame Components
- Exterior Steel Body

NOTE: Components are warranted on an individual basis and not as they may effect the complete product.

Warranty coverage does not include cosmetic abnormalities such as scratches, nicks, dents, oxidation of paint or other cosmetic changes that do not interfere with the designed function of the unit.

This warranty does not include failure of the product due to alteration, modifications, misuse, abuse, improper maintenance, improper installation or repair.

This warranty is not transferable and is only applicable to the original purchaser named on a completed and registered warranty record at Sun Ergoline headquarters.

Sun Ergoline obligations do not include transportation charged on the shipping of new components to the customer or on the return of defective components of the manufacturer. All freight charges must be paid by the customer.

THERE ARE NO WARRANTIES WHICH EXTEND BEYOND THE DESCRIPTION ON THE FACE HEREOF. THERE IS NO EXPRESS OR IMPLIED WARRANTY OF FITNESS OR MERCHANTABILITY.

THE REMEDIES PROVIDED IN THIS LIMITED WARRANTY ARE THE EXCLUSIVE REMEDIES PROVIDED TO THE PURCHASER BY SUN ERGOLINE AND ARE PROVIDED IN SUBSTITUTION OF ALL OTHER REMEDIES - CONSEQUENTIAL AND INCIDENTAL DAMAGES ARE EXCLUDED.

Notice: Any misuse, abuse, modification, alteration, improper maintenance, improper installation, etc. of this product or its intended use will subject said party to direct responsibility and liabilities for any and all consequences resulting from such action. Furthermore, such actions will void all warranties and may relieve Sun Ergoline of any liabilities relating to said product.

